

### USB Charger Receptacle Tamper-Resistant Duplex

Description	Color	Catalog Number	
USB Charger Tamper-Resistant receptacle, Two USB Type 2.0 Ports 3 Amp, 5 Volt DC, 15 or 20 Amp, 125 Volt AC decorator duplex.	Black	<b>USB15X2BK</b>	<b>USB20X2BK</b>
	Brown	<b>USB15X2</b>	<b>USB20X2</b>
	Gray	<b>USB15X2GY</b>	<b>USB20X2GY</b>
	Ivory	<b>USB15X2I</b>	<b>USB20X2I</b>
	Light Almond	<b>USB15X2LA</b>	<b>USB20X2LA</b>
	White	<b>USB15X2W</b>	<b>USB20X2W</b>
Hospital Grade USB Charger Tamper-Resistant receptacle, Two USB Type 2.0 Ports 3 Amp, 5 Volt DC, 15 or 20 Amp, 125 Volt AC decorator duplex.	Black	<b>USB8200BK</b>	<b>USB8300BK</b>
	Brown	<b>USB8200</b>	<b>USB8300</b>
	Gray	<b>USB8200GY</b>	<b>USB8300GY</b>
	Ivory	<b>USB8200I</b>	<b>USB8300I</b>
	Light Almond	<b>USB8200LA</b>	<b>USB8300LA</b>
	Red	<b>USB8200R</b>	<b>USB8300R</b>
White	<b>USB8200W</b>	<b>USB8300W</b>	



USB15X2W



USB8300W

Note: See page Tech-10 for Tamper-Resistant description.

### USB 4 Port Charger

Description	Color	Catalog Number
USB Charger 4 Port Outlet, Four USB Type 2.0 Ports 5 Amp, 5 Volt DC decorator.	Black	<b>USB4BK</b>
	Brown	<b>USB4</b>
	Gray	<b>USB4GY</b>
	Ivory	<b>USB4I</b>
	Light Almond	<b>USB4LA</b>
	White	<b>USB4W</b>

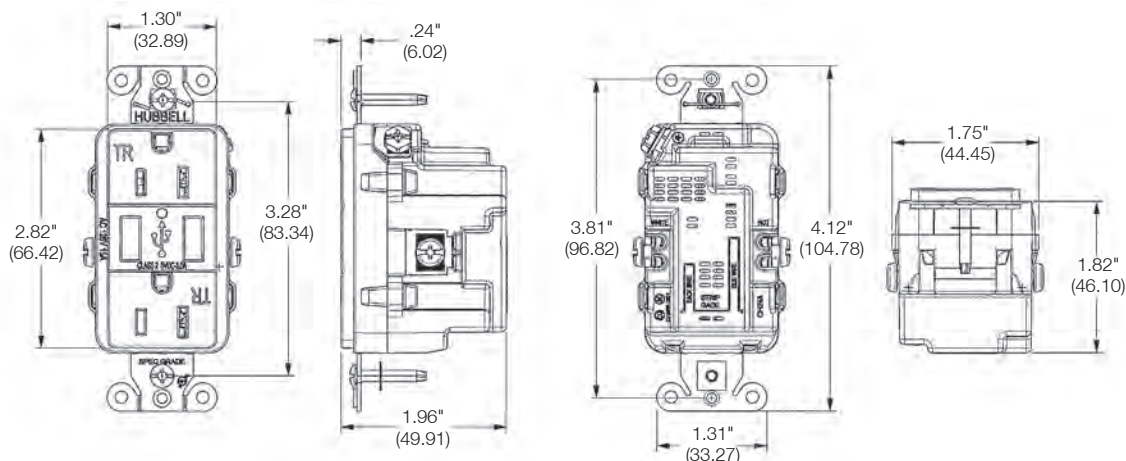


USB4W

### Specifications

- Electrical ratings: 15 or 20 Amp, 125VAC, USB 3 Amp, 5VDC
- Input voltage: 125V AC, 60Hz
- Circuit feed-through 20 Amp, 125 Volt
- #10-14 AWG gauge wire terminals
- Dielectric withstand: 2000V
- Operating temperature: maximum continuous 75° C; minimum -40° C (without impact)
- Meets UL94 for 5V flammability rating
- Complies with battery charging specification USB BC1.2
- Compatible with USB 1.1/2.0/3.0 devices, including Apple® products
- Complies with Part 15 of the FCC rules
- cULus listed to UL498 and UL1310

### Dimensions



Note: For use with boxes deeper than 1.5" with internal AC/MC clamps.

Apple, iPad, iPod and iPhone are registered trademarks of Apple, inc.

Dimensions in Inches (mm)